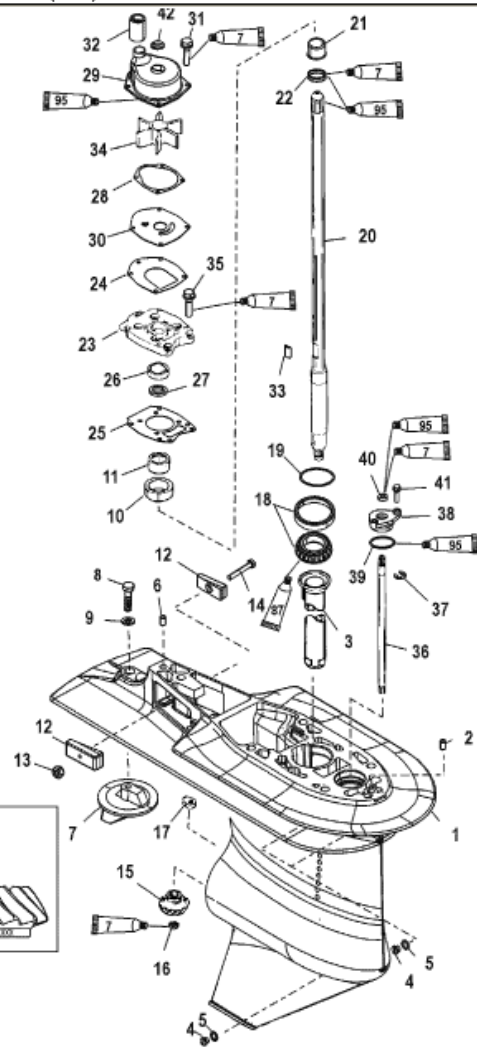


Parts List



1619

Ref	Class	Part	Description	Qty	Comment	Footnote
-	1667	9011G67	GEAR HOUSING	1	(Long) SN# 0T575479 & Below	
-	1667	9011J 2	GEAR HOUSING	1	(Long) SN# 0T575480 THRU 0T575481	
-	1667	9011G72	GEAR HOUSING	1	(X-Long) SN# 0T545479 & Below	
-	1667	9011J 4	GEAR HOUSING	1	(X-Long) SN# 0T575480 THRU 0T575481	
1	1667	9011G59	GEAR HOUSING, Basic	1		
2	17	43043	PIN, Dowel (.375 x .625)(With F	1		
3		43046	OILER TUBE	1		
4	10	799530 2	SCREW KIT, (.375-16 x .250) C	3		
5	12	19183 2	WASHER	3		15,18
6	17	43044	PIN, Dowel (.375 x .625)(Withc	1		
7		31640T 5	TRIM TAB	1		
8	10	825427	SCREW, (.437-14 x 1.250)	1		
9	12	45176 1	WASHER, (.453 x .812 x .105 -	1		
10		43040T 1	CARRIER	1		
11		NSS	NOT SOLD SEPARATE, Nee	1		
12		8261340	ANODE	2		
13	11	40138 6	NUT, (M6)	1		
14	10	40003 33	SCREW, (M6 x 40)	1		
15	43	19672T	PINION GEAR (14 TEETH)(Repl	1	SN# 0T545479 & Below	22
15		NSS	NOT SOLD SEPARATE, Pinion G	1	SN# 0T575480 THRU 0T598999	
16	11	35921	NUT, (.625-18)	1		22,23
17		850307	SHIFT CAM	1		24
18	31	42677A 1	TAPERED ROLLER BEARING A	1	(Use With Pinion stamped 43-1967	23
18	31	883047A 1	TAPERED ROLLER BEARING	1	(Use With Pinion stamped 43-8812	
19	15	44492A 1	SHIM SET	AR		22,23
20	45	858765T 1	DRIVESHAFT ASSEMBLY	1	(Long)	
20	45	878575T 1	DRIVESHAFT ASSEMBLY	1	(X-Long)	
21		42461A 1	WEAR SLEEVE ASSEMBLY	1		
22		NSS	NOT SOLD SEPARATE, Sea	1		
23		43055A 4	WATER PUMP BASE ASSEMBL	1		18
24	27	43033 1	GASKET	1		15,18
25	27	43047 2	GASKET	1		15,18
26	26	43036	OIL SEAL (Lower)	1		15,18
27	26	43035	OIL SEAL (Upper)	1		15,18
28	27	817277 1	GASKET	1		15,18
29		817275A 2	WATER PUMP HOUSING, Uppe	1		18
30		817276 1	FACE PLATE	1		18
31	10	826844 30	SCREW, (M6 x 30)	4		18
32		43023 2	SEAL	1		15,18
33	28	43037	KEY	1		18
34	47	43067 2	IMPELLER	1		18